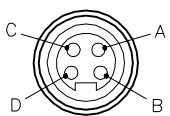
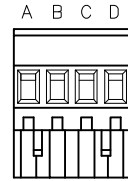
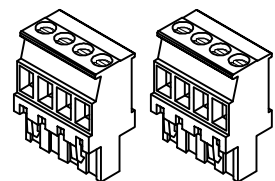
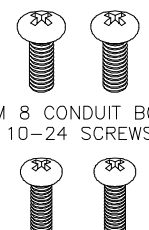

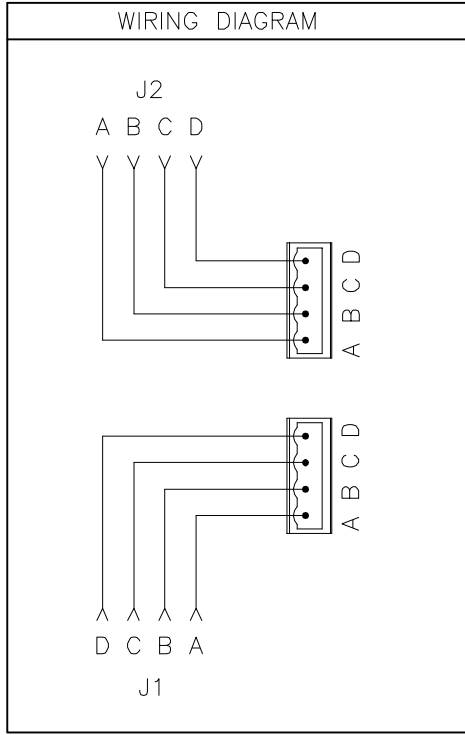
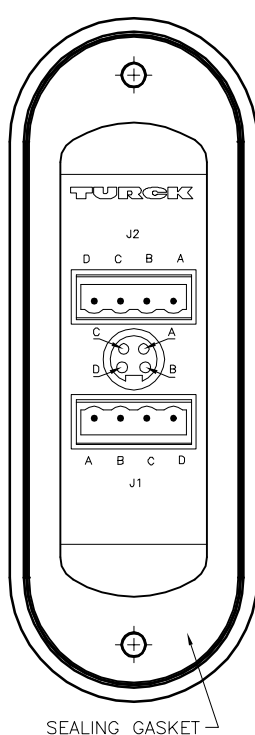
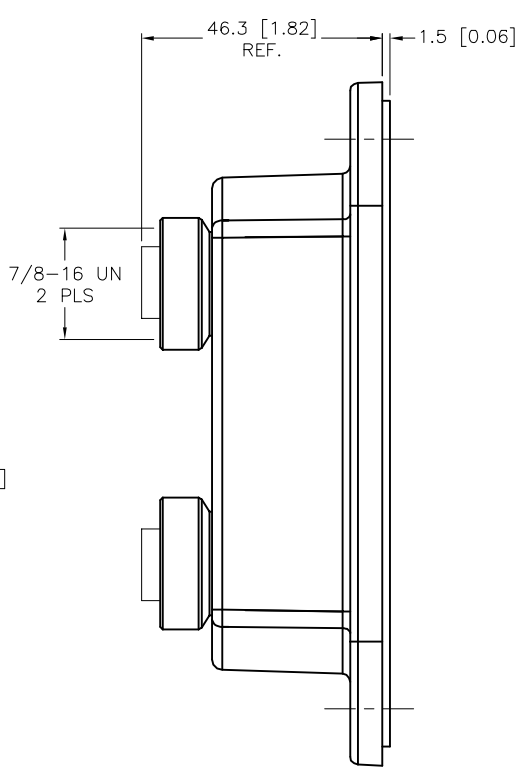
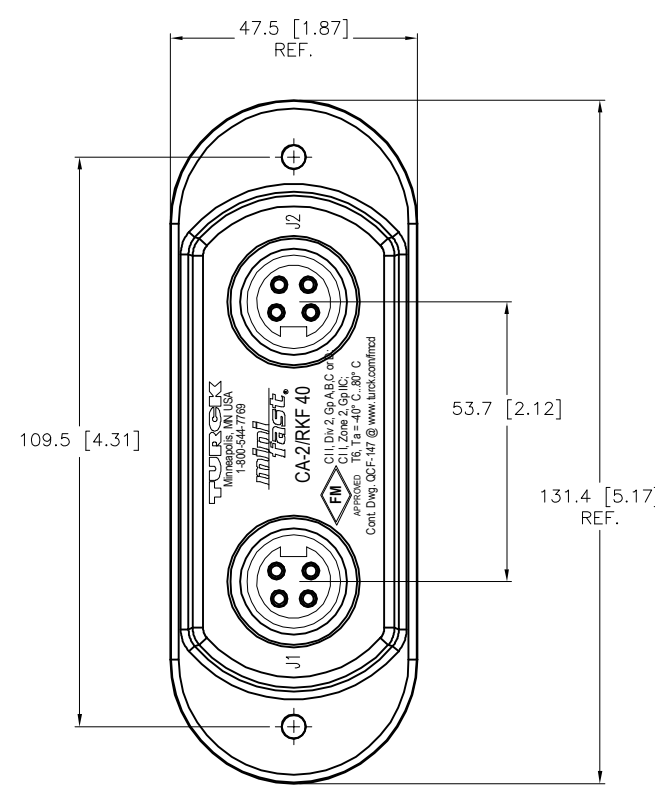
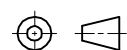


J1, J2 CONNECTORS	TERMINAL BLOCK PLUGS	TERMINAL PLUGS INCLUDED	COVER SCREWS INCLUDED	SPECIFICATIONS	
			 <p>FORM 8 CONDUIT BODIES: 10-24 SCREWS</p> <p>MARK 9 CONDUIT BODIES: 8-32 SCREWS</p>	HOUSING MATERIAL/COLOR	NYLON 66 - 33% GLASS FILLED/BLACK
				RECEPTACLE HOUSING MATERIAL/PLATING	BRASS/NICKEL
				CONTACT CARRIERS/COLOR	TPU/BLACK
				CONTACTS MATERIAL/PLATING	BRASS/GOLD
				OPERATING VOLTAGE	250 V
				OPERATING CURRENT	9.0 A PER CONDUCTOR
				PROTECTION CLASS to DIN 40050	IP 67 - ONLY WHEN ALL RECEPTACLES ARE COVERED WITH PLUGS OR CONNECTED
				OPERATING TEMPERATURE	-30°C to +80°C (-22°F to +176°F)



SOURCE DRAWING - FOR REFERENCE ONLY

RELATED DOCUMENTS 1. 2. 3. 4.	3RD ANGLE PROJECTION 	THIS DRAWING IS CONFIDENTIAL AND THE PROPERTY OF TURCK INC. USE OF THIS DOCUMENT WITHOUT WRITTEN PERMISSION IS PROHIBITED.		3000 CAMPUS DRIVE MINNEAPOLIS, MN 55441 1-800-544-7769 (763) 553-7300 (763) 553-0708 fax www.turck.us	
		DRFT DD DATE 05/22/03		DESCRIPTION CA-2/RKF 40	
		APVD DD SCALE 1=1.5			
		MATERIAL SEE SPECIFICATIONS		UNIT OF MEASUREMENT MILLIMETER [INCH]	
FINISH SEE SPECIFICATIONS		CONTACT TURCK FOR MORE INFORMATION		REV G	
G UPDATED CLICHE AS 10/21/25 81451		DO NOT SCALE THIS DRAWING		FILE: U0877-44 SHEET 1 OF 1	
REV DESCRIPTION BY DATE ECO NO.					